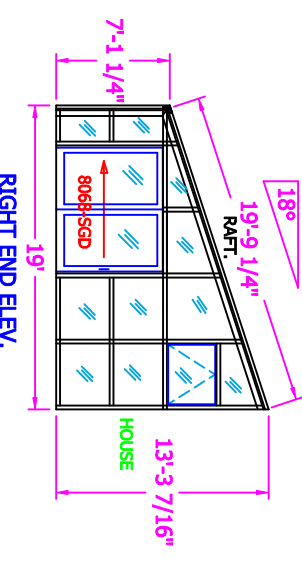
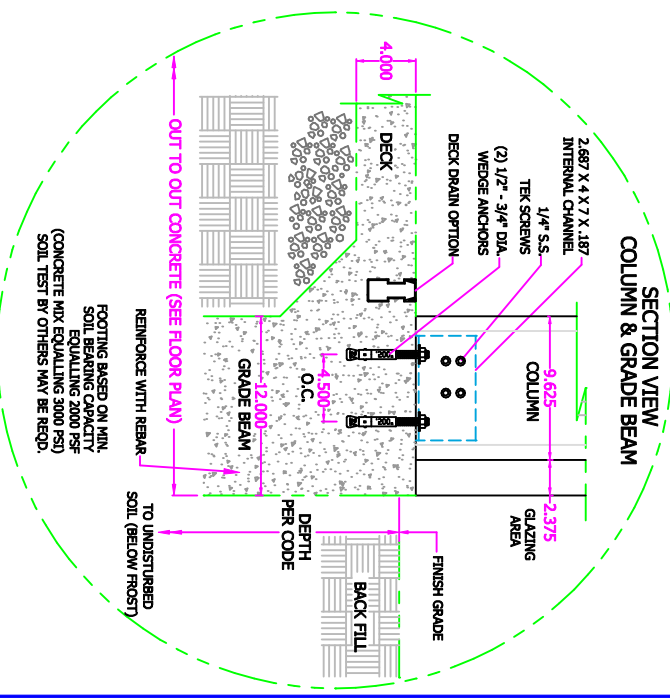
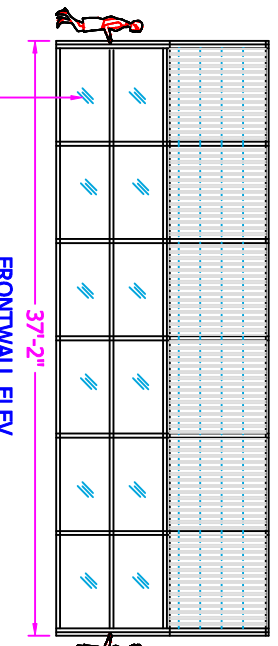
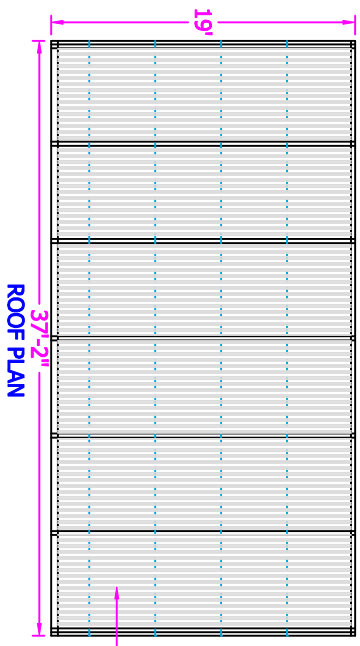
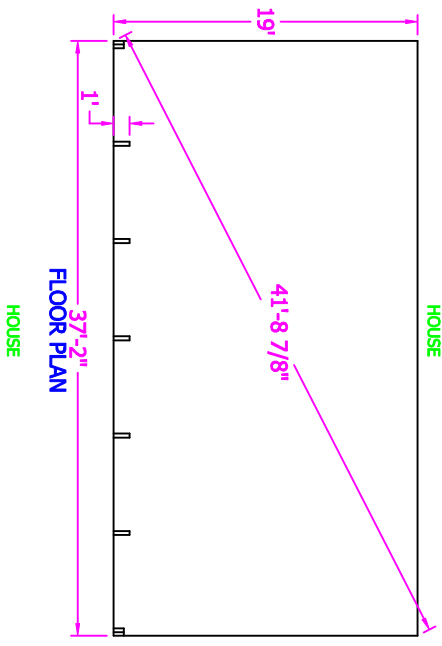
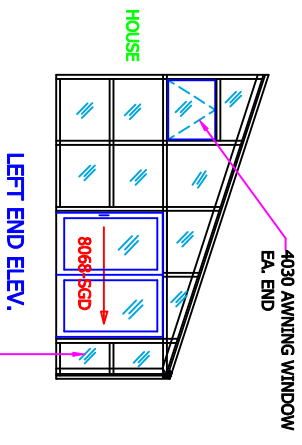
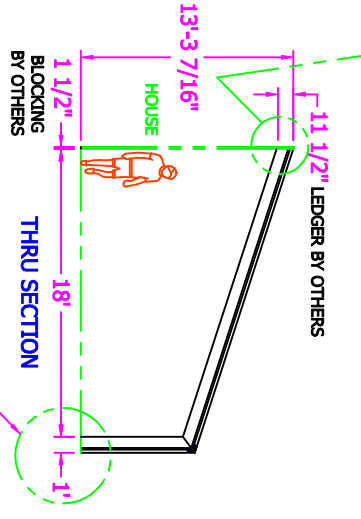
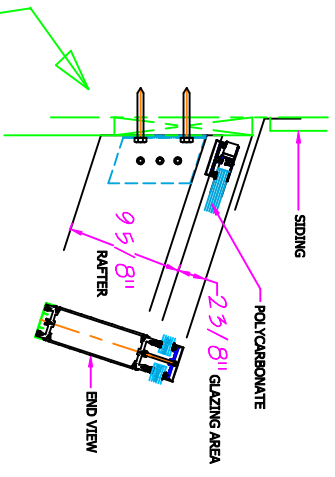


PROJECT NAME: NEW

SIGN IF APPROVED: \_\_\_\_\_

DATE APPROVED: \_\_\_\_\_



STD. FRAME COLOR: WHITE DURACRON (BAKED ENAMEL)

**DESIGN LOADS:**  
 LIVE - 30 PSF  
 DEAD - 5 PSF  
 WIND - 100 MPH



©CONTRACTOR'S USE ONLY. THIS DRAWING IS THE PROPERTY OF POOL ENCLOSURES, INC. (A/EA) AND IS NOT TO BE REPRODUCED OR TRANSMITTED IN ANY FORM OR BY ANY MEANS, ELECTRONIC OR MECHANICAL, INCLUDING PHOTOCOPYING, RECORDING, OR BY ANY INFORMATION STORAGE AND RETRIEVAL SYSTEM. WITHOUT THE WRITTEN PERMISSION OF POOL ENCLOSURES, INC., THIS DRAWING IS NOT TO BE USED FOR ANY OTHER PROJECT. THE CONTRACTOR SHALL BE RESPONSIBLE FOR OBTAINING ALL NECESSARY PERMITS AND APPROVALS FROM ALL APPLICABLE AGENCIES. THE CONTRACTOR SHALL BE RESPONSIBLE FOR VERIFYING ALL DIMENSIONS AND CONDITIONS OF THE SITE PRIOR TO CONSTRUCTION. THE CONTRACTOR SHALL BE RESPONSIBLE FOR OBTAINING ALL NECESSARY PERMITS AND APPROVALS FROM ALL APPLICABLE AGENCIES. THE CONTRACTOR SHALL BE RESPONSIBLE FOR VERIFYING ALL DIMENSIONS AND CONDITIONS OF THE SITE PRIOR TO CONSTRUCTION.

DATE	DESCRIPTION
DATE	DESCRIPTION
DATE	DESCRIPTION

SCALE: 1/8"=1'-0"  
 SHEET: 1  
 DRAWING NO.: 19X37-LT