

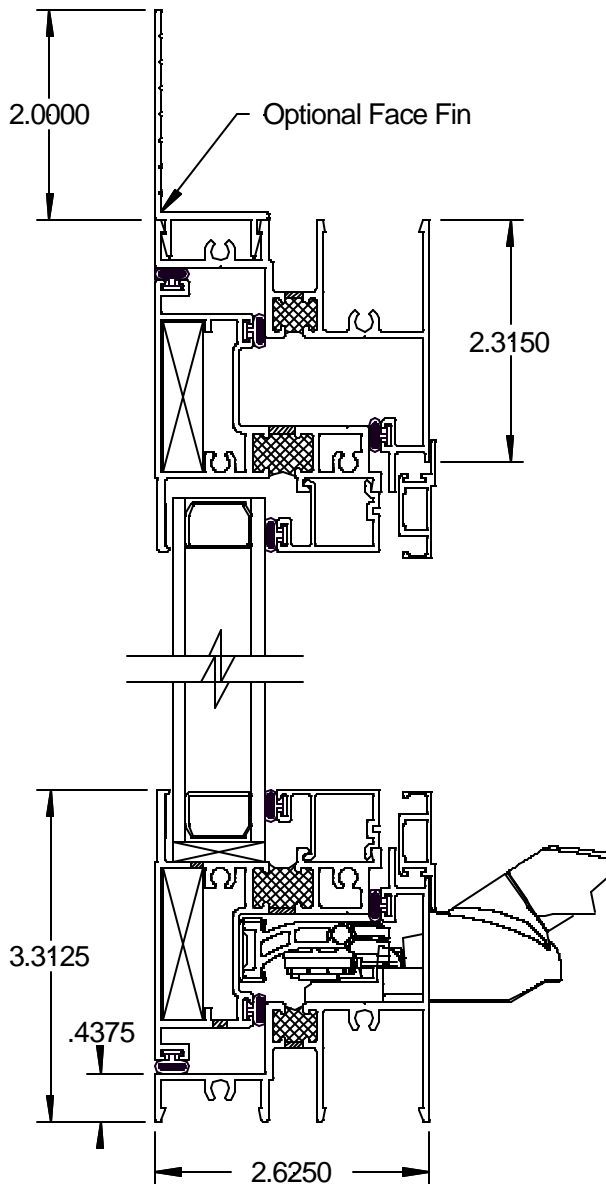
Commercial Aluminum Awning

Standard Features

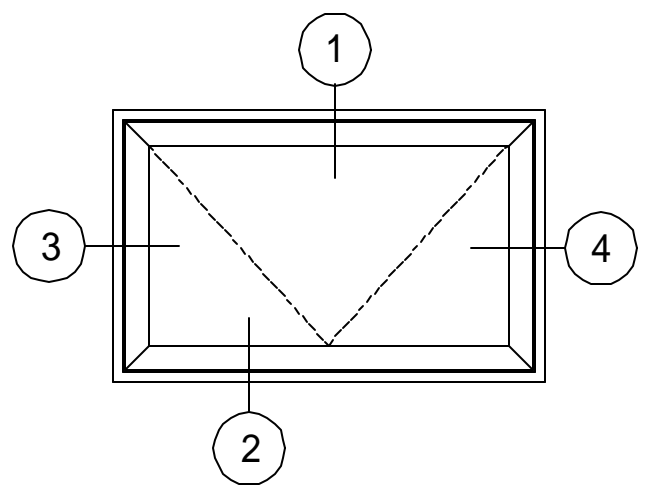
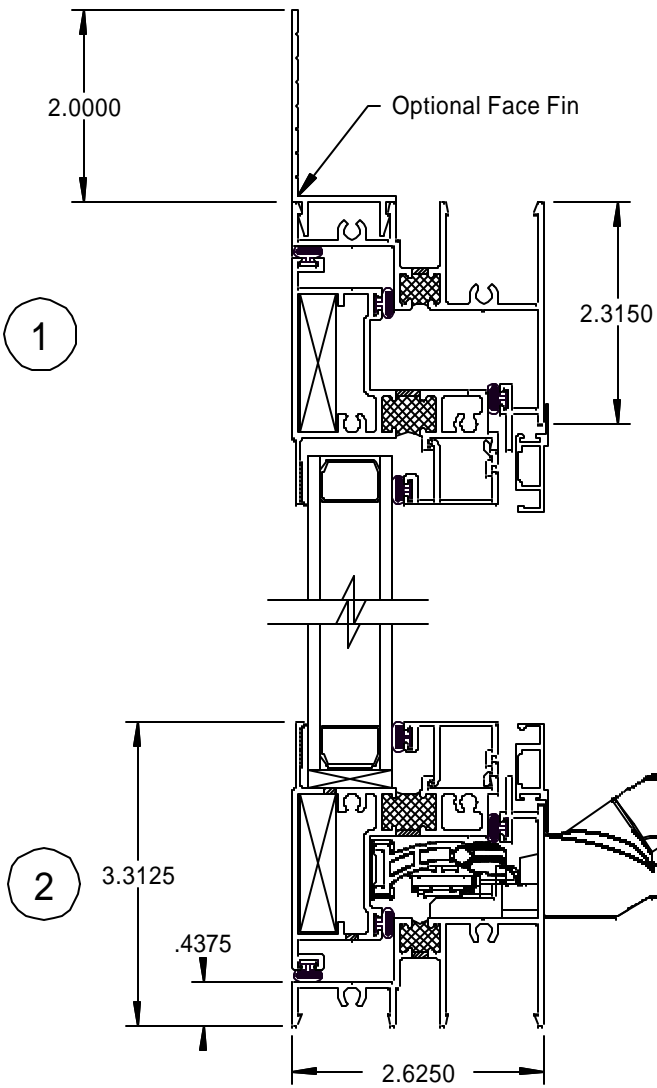
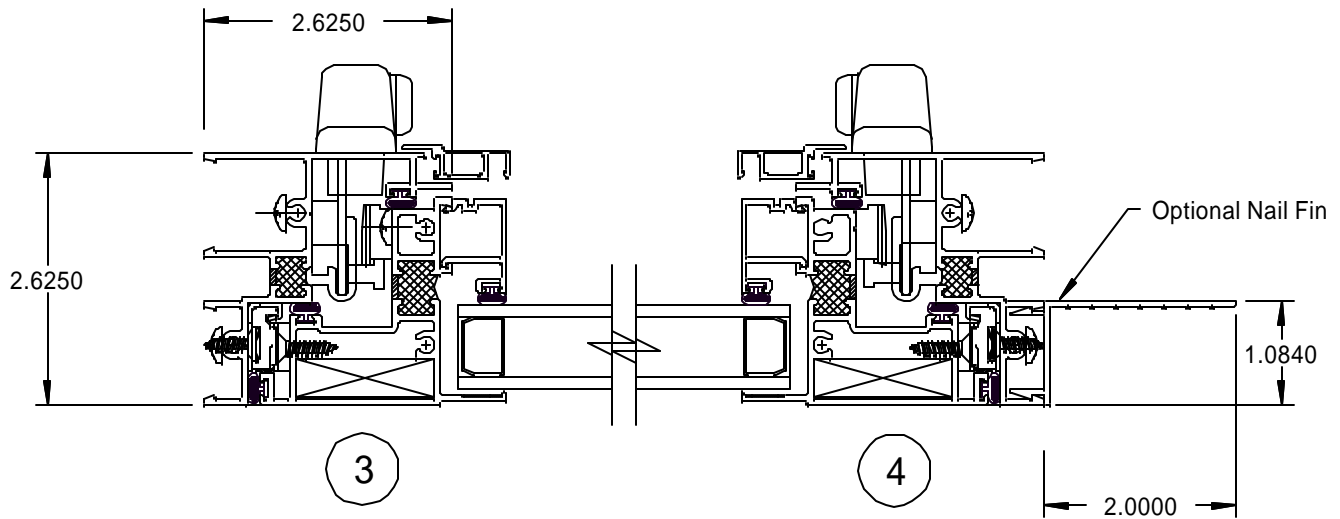
- Flush sash to frame construction
- 2-5/8" Frame Depth
- T-6063 Aluminum Extrusions with .062" walls
- Thermally Broken Frame and Sash
- 7/8" Insulated Glass with Super Spacer® warm edge spacer system for superior thermal performance
- Concealed Hinge system for a modern look
- Equal Leg Frame
- Triple Weatherseals
- Interior Glazed – Field Servicable
- Architectural paint finish meets AAMA 2603. Colors available for normal lead times: White, Bronze, and Clear Anodized. For large projects, custom colors are available on a special order basis – please contact our office for details.
- Mullion for multiple units
- Truth Maxim® Hardware with E-Gard™ Coating features enhanced corrosion protection
- Roto Operator or Friction Hinge models
- Sleek, Low-Profile Lock and Operator system
- Multi-Point Locking System with progressive locking action assures a weather-tight lock between the sash and frame.

Optional Features

- Extruded Interior Screen – eliminates unsightly wicket type screens
- Numerous high performance glazing options
- Many Grid Between Glass (GBG) configurations are available for greater design flexibility and low maintenance.
- Stainless Steel Hardware
- Three-Piece Mullion and Two-Piece Receptor System
- Optional Nailing Fin and Face Flange



The Westco Awning is a heavy-duty aluminum light commercial projection window with a distinctly residential look and feel. Drawing on our many years of residential and light commercial window experience, we have developed a completely new product that blends the pleasing aesthetic appeal and ease of operation of residential windows with the rugged serviceability and performance of thermally broken commercial aluminum. The Westco Projection Series of products rounds out our very popular Westco Single Hung, Slider, and Fixed window lines which have been used in numerous schools, hotels, and other commercial and residential applications for many years.



West Window Corporation
 Industrial Park
 Martinsville, Virginia
 P.O. Drawer 3071
 (276)638-2394

Westco Projection Series Awning

Head, Jamb, & Sill Detail, Roto Operator

8/25/2009 SCALE: HALF Drawn: DB

SHEET: 2 OF 4