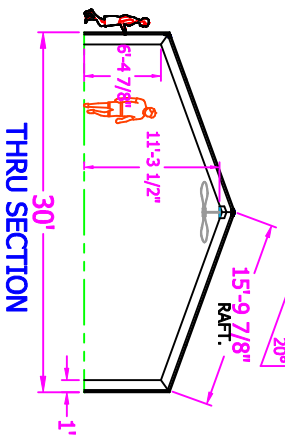
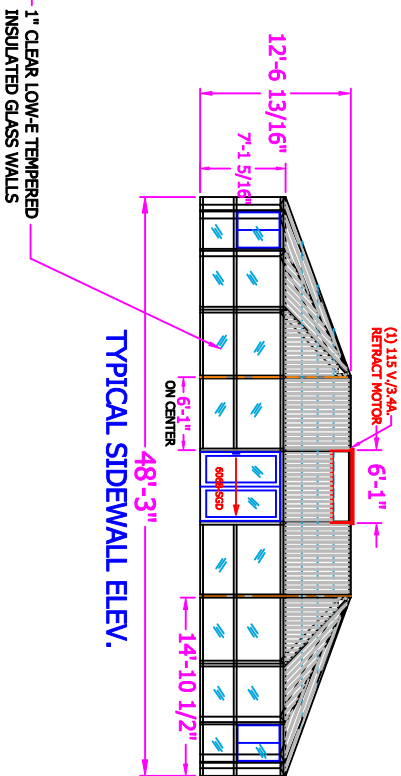
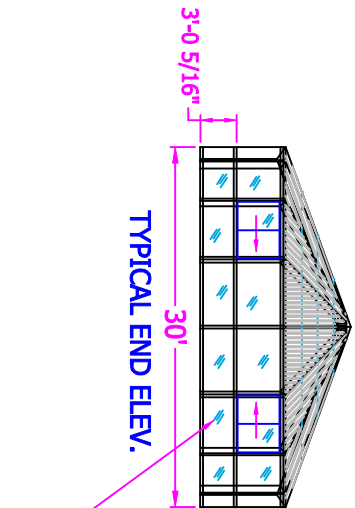
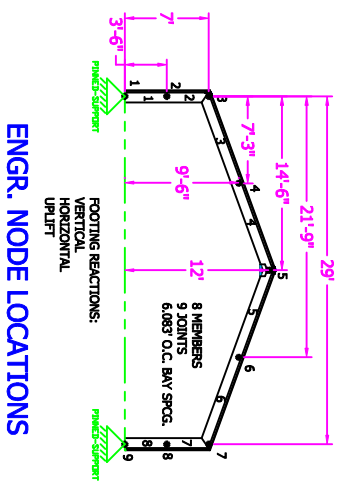
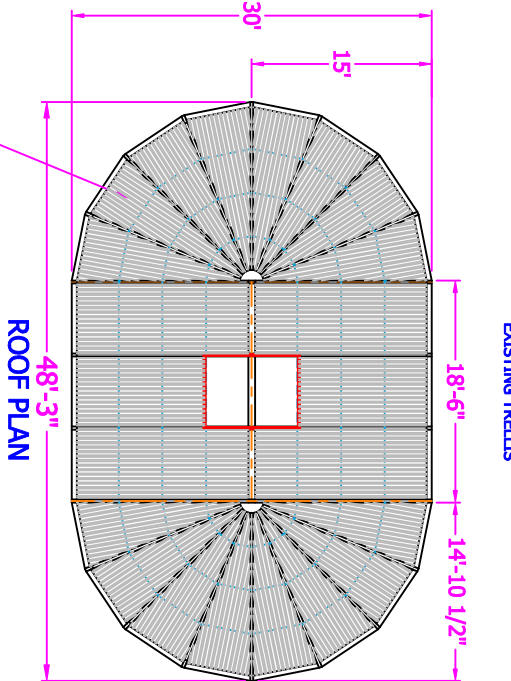
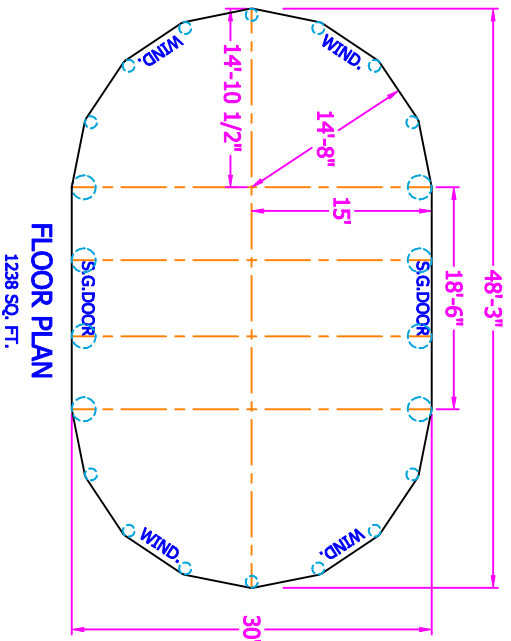


PROJECT NAME: NEW

SIGN IF APPROVED: \_\_\_\_\_

DATE APPROVED: \_\_\_\_\_



STD. FRAME COLOR: WHITE DURACON (BAKED ENAMEL)

**DESIGN LOADS:**  
 LIVE - 25 PSF  
 DEAD - 5 PSF  
 WIND - 90 MPH  
 GROUND SNOW LOAD = 30 PSF



©2009 POOL CARE, INC. THIS DRAWING IS THE PROPERTY OF POOL CARE, INC. AND IS NOT TO BE REPRODUCED, COPIED, OR TRANSMITTED IN ANY FORM OR BY ANY MEANS, WITHOUT THE WRITTEN PERMISSION OF POOL CARE, INC. ANYONE KNOWINGLY OR UNKNOWINGLY USING THIS DRAWING FOR ANY OTHER PROJECT WITHOUT THE WRITTEN PERMISSION OF POOL CARE, INC. IS SUBJECT TO PROSECUTION AND OTHER LEGAL ACTION. TRADE SECRET INFORMATION. ANYONE KNOWINGLY OR UNKNOWINGLY USING THIS DRAWING FOR ANY OTHER PROJECT WITHOUT THE WRITTEN PERMISSION OF POOL CARE, INC. IS SUBJECT TO PROSECUTION AND OTHER LEGAL ACTION.

DATE	SCALE	BY	DESCRIPTION
3/22/11	3/32"=1'	BRILL KATNER	POOL ENCLOSURE
			JOB NAME
			DRAWING NO.

30X48FAC